

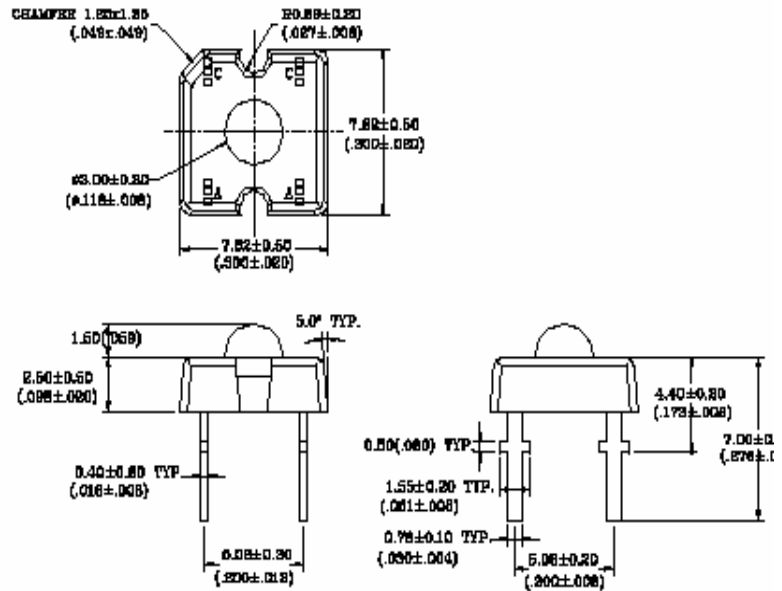
# SUPER FLUX LED

## BTF-37WHCS-XX-X

### Product Features

- Ultra Bright White Color
- High Light Output
- 3mm Super Flux Package
- Water Clear Lens
- Highly Reliable
- IC Compatible
- Leads with Stand Off

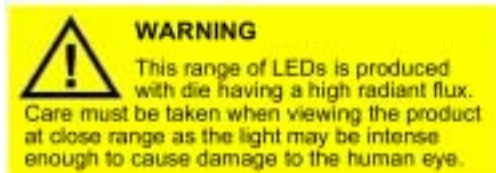
### Package Dimension



Tolerance:  $\pm \frac{\text{inch}}{\text{mm}}$  Unit:  $\pm \frac{0.01}{0.25}$

### Applications

- Outdoor Sign Board
- Automotive
- Front Panel Indicator
- Special Lighting
- General Purpose LEDs



**Note:** Industry standard procedures regarding static must be observed when handling this product.

### Optical and Electrical Characteristics at $T_a=25$

Parameter	Symbol	Minimum	Typical	Maximum	Units	Conditions
Luminous Intensity	$I_v$	1800	2500	-	mcd	$I_F = 20\text{mA}$ (Note 1)
Viewing Angle	$2\theta_{1/2}$	-	90	-	degree	$I_F = 20\text{mA}$
Color Coordinates	X	-	0.28	-	n/a	$I_F = 20\text{mA}$ (Note 2)
	Y	-	0.29	-	n/a	
DC Forward Voltage	$V_F$	-	3.3	4.0	V	$I_F = 20\text{mA}$
DC Reverse Current	$I_R$	0	-	10	$\mu\text{A}$	$V_R=5\text{V}$

#### Notes:

1. Light intensity measures the light sensing response standard using chromatic meter. Refer to the CIE eye-response curve set by International Lighting committee. Tolerance of minimum and maximum intensity =  $\pm 15\%$
2. Color coordinates range can be selected from the bin selection table. The parameters used fulfilled the 1932 2 standard
3. These products are sensitive to static electricity and care must be fully taken when handling products



**SUPER FLUX LED**

**BTF-37WHCS-XX-X**

Absolute Maximum Ratings at  $T_a=25$

Symbol	Parameter	Max.	Unit
$P_D$	Power Rating	80	mW
$V_R$	Reverse Voltage ( $I_R=10\mu A$ )	5	V
$I_F$	Continuous Forward Current	30	mA
$I_{PF}$	Peak Forward Current (0.1 duty cycle @ 1kHz)	100	mA
$T_{opr}$	Operating Temperature Range	-35 ~ + 80	
$T_{stg}$	Storage Temperature Range	-40 ~ + 100	
Lead Soldering Temperature [1.6mm (0.063inch) from body]		260	- max 5 seconds

Color and Brightness Selection

**BTF-37WHCS-XX-X**

**Color Bin Selection**

Bin	White	
	X	Y
<b>BW</b> (Bluish White)	0.20	0.20
	0.27	0.28
	0.31	0.27
	0.31	0.20
<b>PW</b> (Pure White)	0.24	0.28
	0.32	0.36
	0.36	0.36
	0.36	0.28
<b>YW</b> (Yellowish White)	0.29	0.36
	0.38	0.45
	0.42	0.45
	0.42	0.36
<b>XX</b>	All Range	

**Brightness Bin Selection**

Bin	Range(mcd)
<b>R</b>	1800~2500
<b>S</b>	2500~3500
<b>T</b>	3500~4900
<b>X</b>	1800~4900